



ANLY TEMPERATURE CONTROLLER

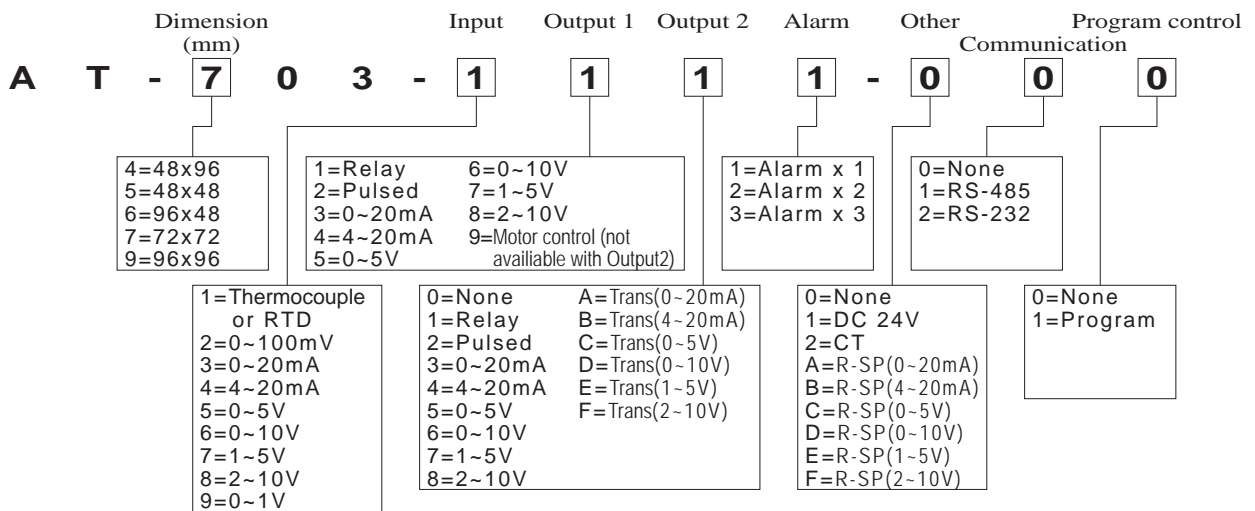
AT03 PID TEMPERATURE CONTROLLER



CHARACTERISTICS :

- Up to 2 output and 3 alarm channels
- 4 PID levels
- Thermocouple, RTD and linear inputs
- Optional RS-232 or RS-485 communication
- Available in 5 sizes : 48 x 48mm(1/16DIN), 48 x 96mm(1/16DIN), 72 x 72mm, 96 x 48mm, 96 x 96mm(1/4DIN)
- Servo motor control possible
- For heating and cooling processes
- Separate input channel for Remote Set Point

TYPE SELECTION :



Note 1. AT-503 is not available with Other and 3 alarms.



SPECIFICATIONS :

Type	AT-403 / AT-503 / AT-603 / AT-703 / AT903	
Operating voltage	AC(V) : 100 - 240	
Rated frequency	50 / 60 Hz	
Power consumption	Approx. 3.5VA	
Sensor input	Thermocouple	K, J, T, R, E, S, B, N
	RTD	Pt100, JPt100
	Linear	Current(4~20mA), Voltage(1~5V)
Control output	Relay	240VAC 3A
	Voltage	Voltage Pulse
	Linear	4~20mA, 1~5V
	Motor Control	Open loop motor valve
Alarm output	240VAC 3A(3 Channels Optional)	
Alarm function	See figure 1	
Control method	PID, PI, P, ON/OFF, Dead Band	
Communication	RS-232, RS-485	
Setting	Digital setting using front panel keys	
Indicator	7-segment-display and LED	
Ambient temperature	-10 ~ +50°C (without condensation & freezing)	
Storage temperature	-25 ~ +65°C	
Ambient humidity	35 ~ 80%RH (without condensation)	
Storage humidity	35 ~ 95%RH	
Weight	AT-403 / 603 Approx. 170g , AT-503 Approx. 125g , AT-703 Approx. 200g , AT-903 Approx. 250g	

FEATURES :

Type	AT-403 / AT-503 / AT-603 / AT-703 / AT903
Measuring accuracy	Within $\pm 0.3\%$ of present value or $\pm 2^{\circ}\text{C}$ whichever is greater
Proportional band (P)	0.0 ~ 3000sec (0.1-second units)
Integral time (I)	0 ~ 3600sec (1-second units)
Derivative time (D)	0 ~ 900sec (1-second units)
Control period	0 ~ 150sec (1-second units)
Sampling period	300ms
Memory protection	EEPROM non-volatile memory (writing times : Approx. 100,000times)

FIGURE 1 (ALARM FUNCTION) :

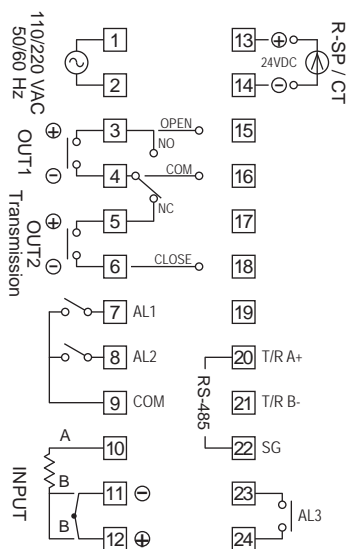
AL1F	AL2F	AL3F	Alarm function selection
0	0	0	No alarm
1	1	1	Deviation high alarm
2	2	2	Deviation low alarm
3	3	3	Absolute high alarm
4	4	4	Absolute low alarm
5	5	5	Deviation high/low alarm
6	6	6	Band alarm
7	7	7	System failure alarm (when error information happen)
8	8	8	Loop break alarm
9	9	9	Heater break alarm
10	10	10	Segment ending alarm in program control
11	11	11	Program ending alarm in program control
12	12	--	Time signal alarm in program control
13	13	--	Program running alarm in program control

RATED SCALE :

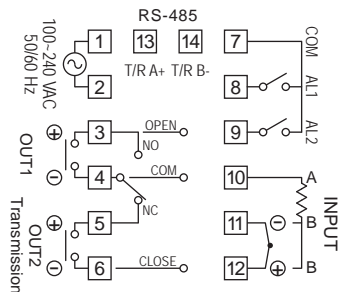
Input type	°C	°F
K1	0~200	32~392
K2	0~400	32~752
K3	0~800	32~1472
K4	0~1000	32~1832
K5	0~1200	32~2192
j1	0~200	32~392
j2	0~400	32~752
j3	0~800	32~1472
j4	0~1000	32~1832
j5	0~1200	32~2192
t1	-50~50	-58~122
t2	-100~100	-148~212
t3	-200~400	-328~752
r	0~1700	32~3092
E	0~1000	32~1832
S	0~1700	32~3092
b	0~1800	32~3272
n	-200~1300	-328~2372
Pt1	-50~50	-58~122
Pt2	0~100	32~212
Pt3	0~200	32~392
Pt4	0~400	32~752
Pt5	-200~600	-328~1112
jPt	-200~500	-328~932
Lin	-1999~9999	

CONNECTION :

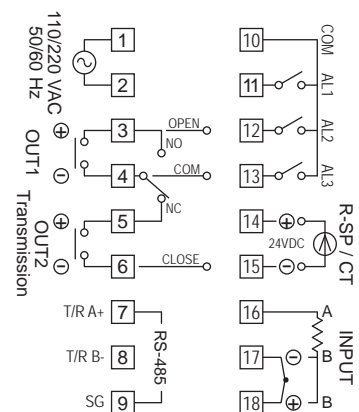
AT-403 / 603 / 903



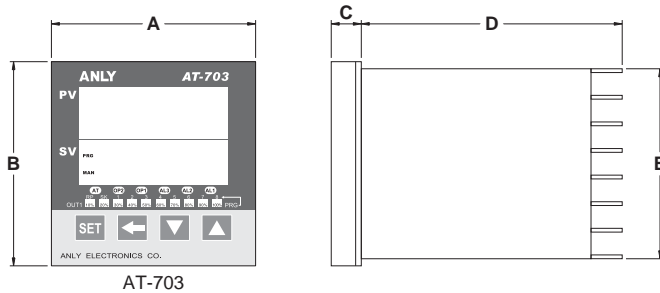
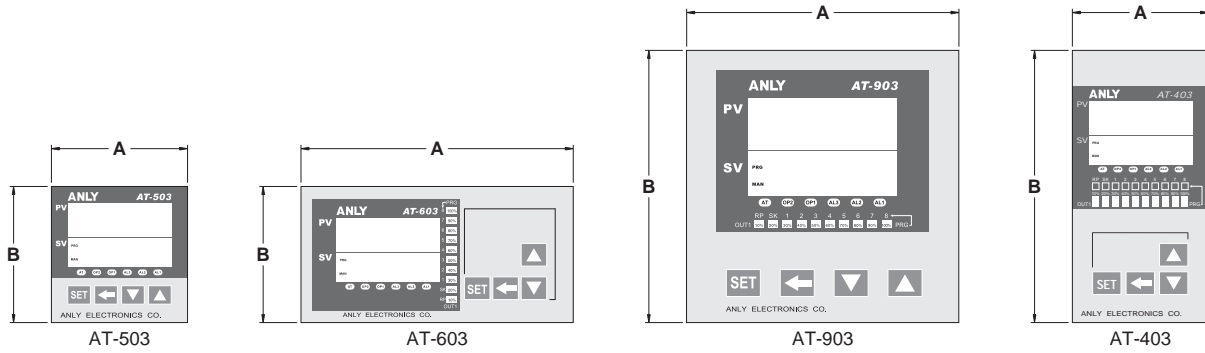
AT-503



AT-703



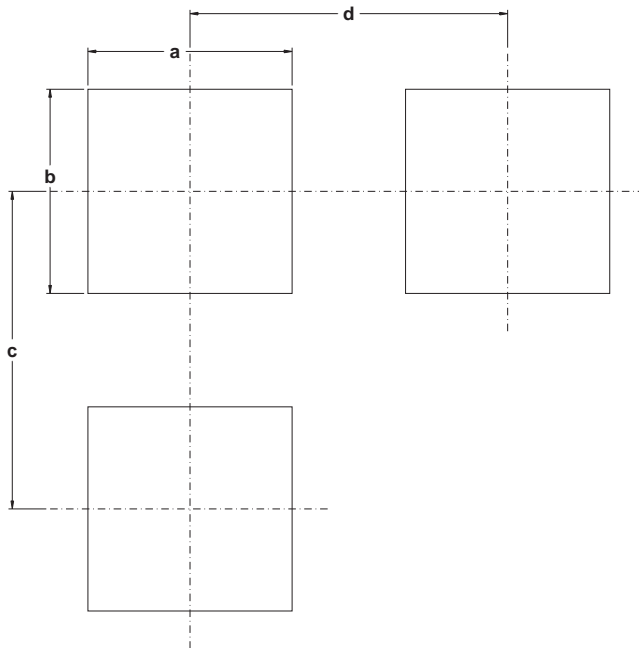
DIMENSIONS : (mm)



	A	B	C	D	E
AT - 403	48	96	10.5	83	90.5
AT - 503	48	48	10.5	83	45
AT - 603	96	48	10.5	83	45
AT - 703	72	72	10.5	83	67.5
AT - 903	96	96	10.5	83	90.5

Tolerance:±0.1

PANEL CUTOUT DRAWING : (mm)



	a	b	c	d
AT - 403	46 ^{+0.5} ₋₀	91 ^{+0.5} ₋₀	120	70
AT - 503	46 ^{+0.5} ₋₀	46 ^{+0.5} ₋₀	70	70
AT - 603	91 ^{+0.5} ₋₀	46 ^{+0.5} ₋₀	70	120
AT - 703	68 ^{+0.5} ₋₀	68 ^{+0.5} ₋₀	100	100
AT - 903	91 ^{+0.5} ₋₀	91 ^{+0.5} ₋₀	120	120

ANLY ELECTRONICS CO., LTD.

<http://www.anly.com.tw>

TAIWAN MAIN OFFICE : ANLY ELECTRONICS CO., LTD.

No.19, Lane 202, Fushou St., Xinzhuang Dist., New Taipei City 242, Taiwan
TEL: +886-2-2996-3202 FAX: +886-2-2996-2017

HONG KONG OFFICE : ANLY ELECTRONICS (HK) LTD.

Flat K, 13/F, Edward Mansion, 141 Prince Edward Road W., Kowloon, Hong Kong
TEL: +852-2397-2505 FAX: +852-2397-6080

CHINA OFFICE : ANLY TECHNOLOGY (WUXI) CO., LTD.

2F, Building A, Plot 1, No. 28, Zhanhong Rd., Xinwu Dist., Wuxi, Jiangsu, P.R.China
TEL: +86-510-85304801~3

MALAYSIA OFFICE : JUSTY ELECTRONICS (M) SDN. BHD.

No.1, Jalan 6/89B, Kawasan Perindustrian Trisegi, Batu 3 1/2 Off Jalan Sungei Besi, 57100 Kuala Lumpur, Malaysia
TEL: +60-3-7983-5758 FAX: +60-3-7981-5052

INDONESIA OFFICE : PT. ANLY ELECTRONICS INDONESIA

Jl. Pangeran Jayakarta 117/B9, Jakarta Pusat, 10730 Indonesia
TEL: +62-21-624-8436 FAX: +62-21-626-1228

NO. AT03-W-A